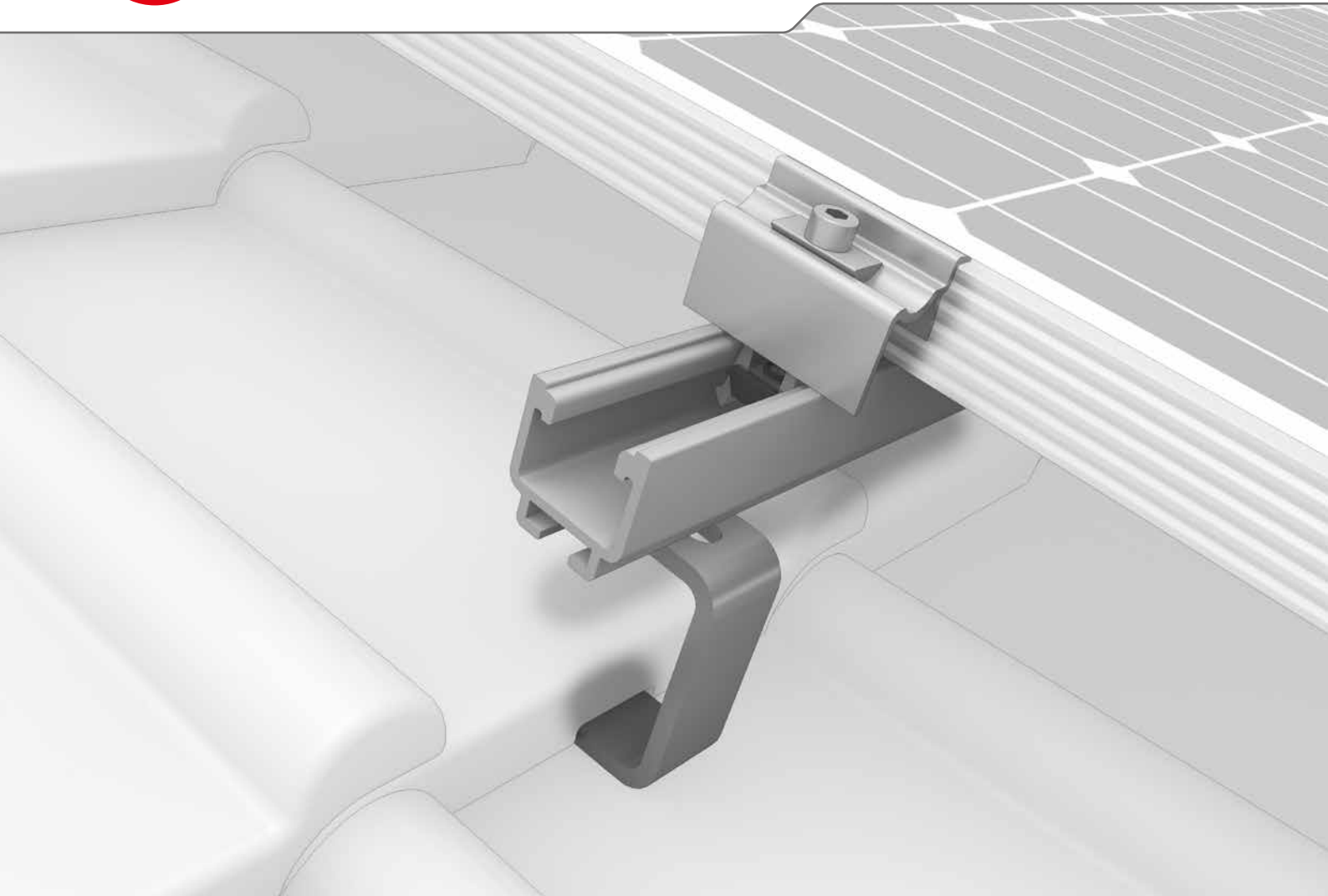




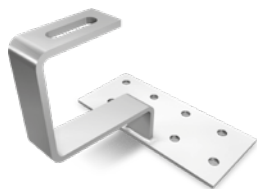
SolidRail System



- ▶ Comprehensive range of mounting rails for varying load profiles
- ▶ Robust and structurally proven
- ▶ High flexibility for a diverse range of widths

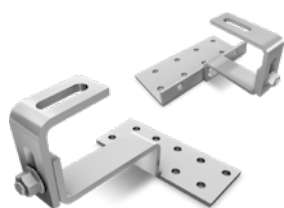


Roof fastenings



Roof hook for pantiles

- ▶ Various sizes
- ▶ Solid stainless steel design



Vario 1 and 2 roof hooks

- ▶ For pantiles
- ▶ Height-adjustable under bracket and at battens



Roof hook for plain tile roofing

Also for double roofing



Roof hook for slate roofing

Three boreholes for a secure fit



Roof hook for Coppo roofing

- ▶ Height-adjustable under bracket
- ▶ Flexible placement on rafters



Hanger bolts

- ▶ For corrugated fibre cement or corrugated sheet roofing with wooden substructure
- ▶ Custom height adjustment



Solar fastener

- ▶ For trapezoidal sheet metal, corrugated sheet metal, or corrugated fibre cement roofing
- ▶ For steel and timber

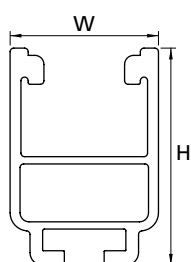


Standing seam clamps

Seam metal clamps for popular standing seam roofs such as Kalzip or Rib-Roof

Technical data

	UltraLight 32	Light 37	Medium 42	Alpine 60
Figure				
Material	Aluminium (EN AW-6063 T66)			
W = width [mm]	39	39	41	41
H = height [mm]	32	37	42	60
Lengths [m]	2.10/3.15/4.15/6.10			
Weight [kg/m]	0.7	0.85	1.3	1.7
Cross-bracing with	SingleRail			



SolidRail LS85 and XL140:
For heavy loads across large widths!