



SPLIT AIR Conditioners

BETA series

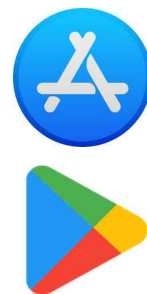
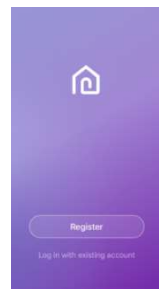
Features

- SPLIT – indoor and outdoor units
- Gentle cool wind – cool feeling without air flow!
- WIFI module internal
- Refrigerent R32
- High efficiency A+++ (cooling), A++ (heating)
- Inverter control
- Remote control
- Safe anti-fire construction
- Self-cleaning
- 6-fan speed
- Parents control
- ECO mode
- Easy washable filter
- 3D AIR FLOW



Photo

Mobile App (free for android and ios):





Specification

| Model | | | BETA 12K WIFI |
|--|---------|-------------------|-----------------------------|
| Type | | | heating pump |
| Control type | | | remote controller |
| Power supply mode | | | indoor |
| Declared cooling capacity | W | | 3660(800~4300) |
| Declared heating capacity | W | | 3940(800~4500) |
| Pdesignc | W | | 3600 |
| Pdesignh | W | | 2700 |
| SEER declared | W/W | | 8,5 |
| Energy Class | | | A+++ |
| SCOP Average declared | W/W | | 4,6 |
| Energy Class | | | A++ |
| Annual energy consumption | Cooling | kwh/a | 148 |
| | Heating | kwh/a | 822 |
| Moisture removal | | Liters/h | 1,2 |
| Indoor sound power (H/M/L/Mute) | | dB(A) | 53/49/37/34 |
| Outdoor sound power | | dB(A) | 62 |
| Indoor sound pressure (H/M/L/Mute) | | dB(A) | 43/38/27/24 |
| Outdoor sound pressure | | dB(A) | 52 |
| Power supply | | | 220-240V~/50Hz/1P |
| Voltage Range | | V | 165~265 |
| Operating current | Cooling | A | 5.4(1.2~7.2) |
| | Heating | A | 4.5(1.2~8.0) |
| Power consumption | Cooling | W | 966(240~1600) |
| | Heating | W | 1010(240~1750) |
| Refrigerant type/Charge/GWP/CO2 equivalent | | | R32/0.80kg/675/0.372 tonnes |
| Compressor type | | | Rotary |
| Indoor air circulation Cooling/heating | | m ³ /h | 850/850 |
| Indor fan type | | | Cross flow |

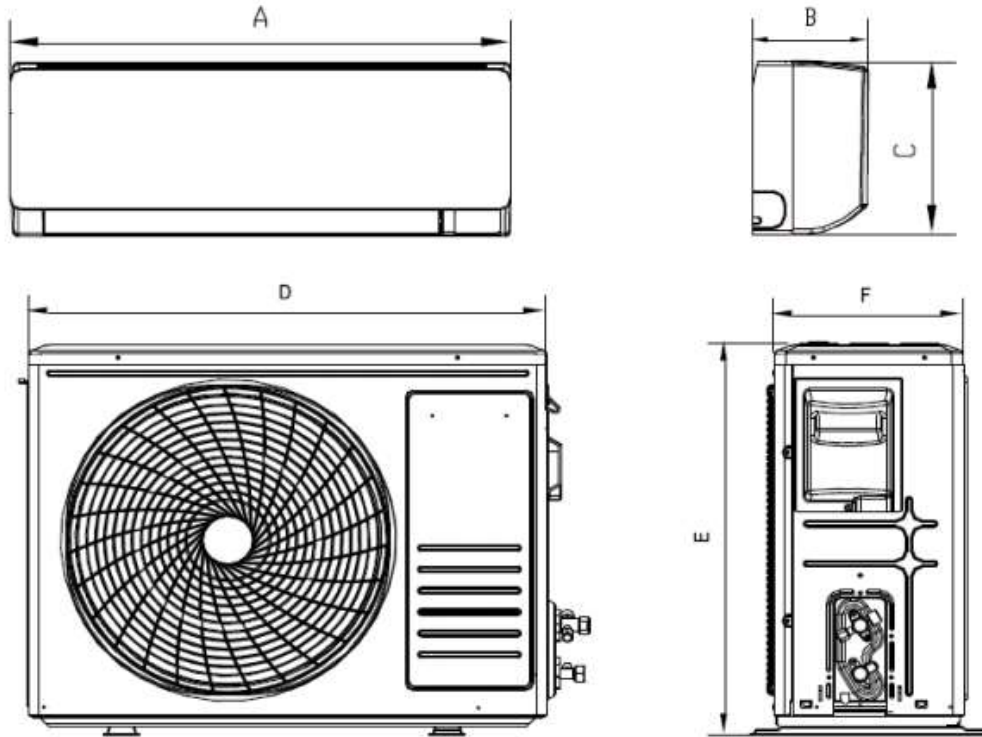


SPLIT AIR Conditioners

BETA series

| | | | |
|------------------------------|-----------------|---------------|----------------------------------|
| Outdoor fan type | | Propeller fan | |
| Connecting Wiring | Core x Size | | 4×1.5mm ² |
| Expansion device | | | Electronic expansion valve |
| Connecting Pipe | Gas | Inches | 3/8" |
| | Liquid | Inches | 1/4" |
| Max. refrigerant pipe length | | m | 25 |
| Max. difference in level | | m | 10 |
| Operation temperature range | | °C | 16-31 |
| Ambient temperature range | Outdoor | °C | Cooling:-15-53 Heating:-20-30 |
| | Indoor | °C | Cooling:17-32 Heating:0-30 |
| Net dimensions | Indoor | mm | 883×310×195 |
| (W x H x D) | Outdoor | mm | 795×305×549 |
| Net weight | Indoor | kg | 10,5 |
| | Outdoor | kg | 28 |
| Packing dimensions | Indoor | mm | 964×375×262 |
| (W x H x D) w/o pipe | Outdoor | mm | 835×340×585 |
| w/i pipe | Outdoor | mm | 835×340×585 |
| Gross weight | Indoor | kg | 13 |
| | Outdoor | kg | 31(w/o pipe) 32(w/i pipe) |
| Loading Capacity w/o pipe | 20'/40'GQ/40'HQ | | 250 |
| Loading Capacity w/i pipe | 20'/40'GQ/40'HQ | | 250 |

Technical drawing



Efficiency label

