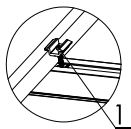
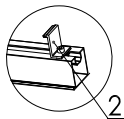


This document contains information that is confidential and proprietary to CORIGY, that will not be copied or reprinted or delivered

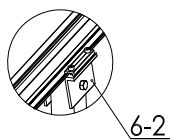
VIEW A



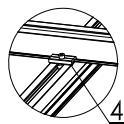
VIEW B



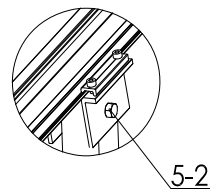
VIEW C



VIEW D



VIEW E



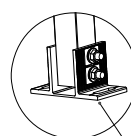
5-2

VIEW F

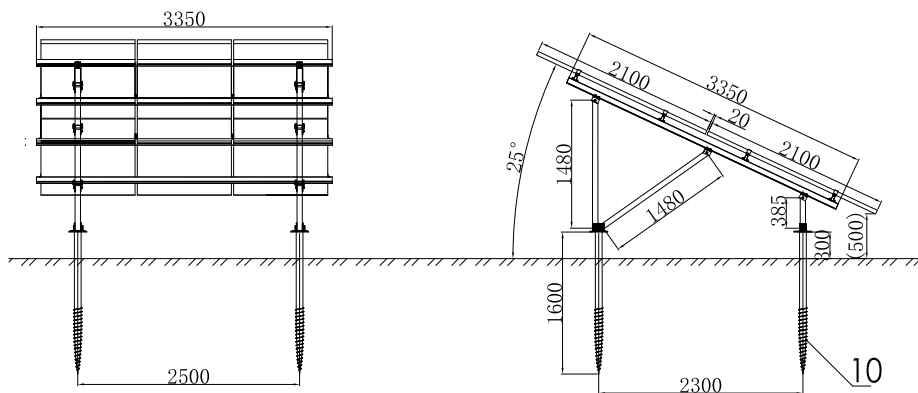
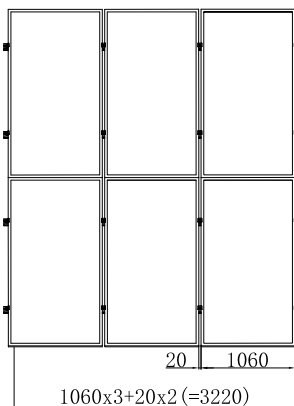
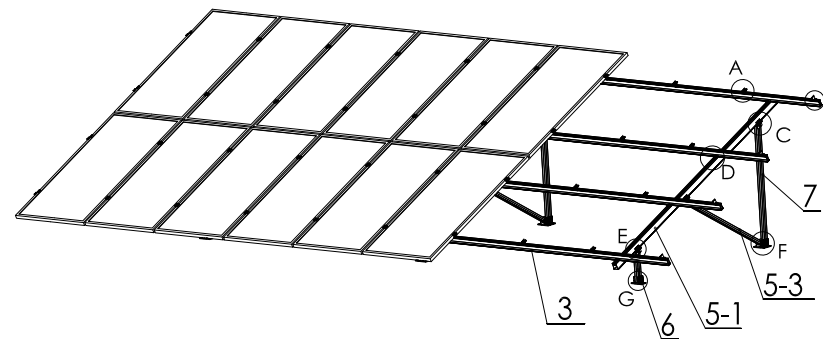


8

VIEW G



9



10	CP-GSF-1600	Ground screw	L=1600	4	
9	CP-KC-LC-01	CP-KC Leg Caps,01		2	
8	CP-KC-LC	CP-KC Leg Caps		2	
7	CP-KC-RL-1480	CP-KC Rear Leg-01	L=1480	2	
6	CP-KC-FL-385	CP-KC Front Leg-01	L=385	2	
5-3	CP-KC-LEP-1480	CP-KC Enforcement Pipe	L=1480	2	
5-2	CP-KC-TCL	CP-KC Top Cap for Legs		6	
5-1	CP-RK-3350	CP-Rack, Series K 01	L=3350	2	
5	CP-KC-PAF-335025	CP-KC Pre-assembled Frame		2	
4	CP-RCD	Rail Splice, Splice D		16	
3	CP-RM-3350	CP-Rack, Series M	L=3350	4	
2	CP-EC-35	Standard End Clamp		8	
1	CP-IC-35	Standard Middle Clamp		8	
No.	Part NO.	Item	Description	QTY	U/N

			Installation Site		Unless other specified, the main dimension unit is mm
			Wind Load	34 m/s	
			Snow Load	0.9 kN/m ²	Drawn by/Date
			Angle	25°	Checked/Date
VER.	Change Mark	DCN NO.	Panel	2100x1060x35	QA./Date
Change History			Project information		Standard/Date
					Approved/Date

CORIGY 科锐欧(厦门)新能源科技有限公司
 Create Re-Energy xiamen corigy new energy technology CO.,LTD.
 TEL: +86-592-6883200 E-mail: sales@corigy.com

Model Layout	2x3	Drawing NO.	CP-02181317-01
Project	CP-KC All aluminum system Ground Solar Project		DATE 2021-12-15