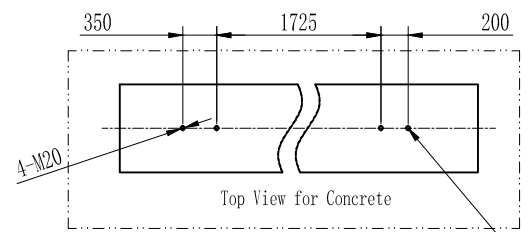
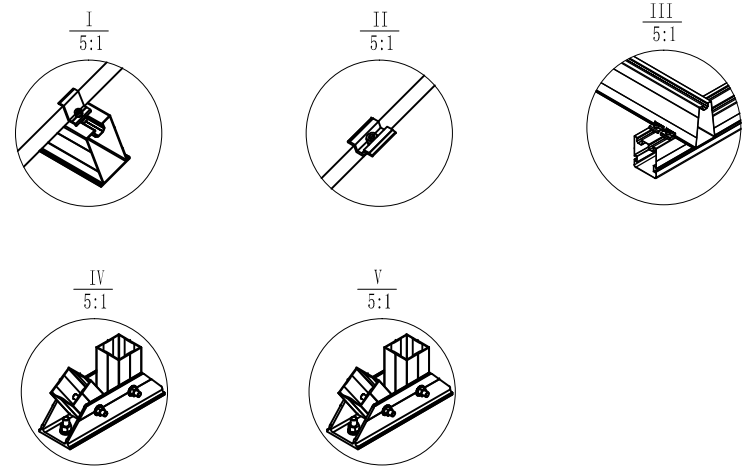
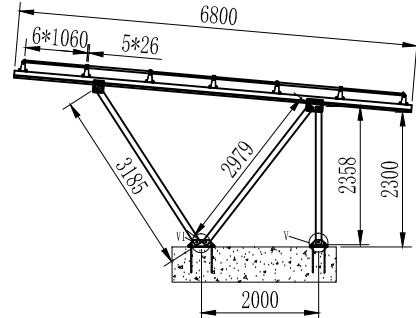
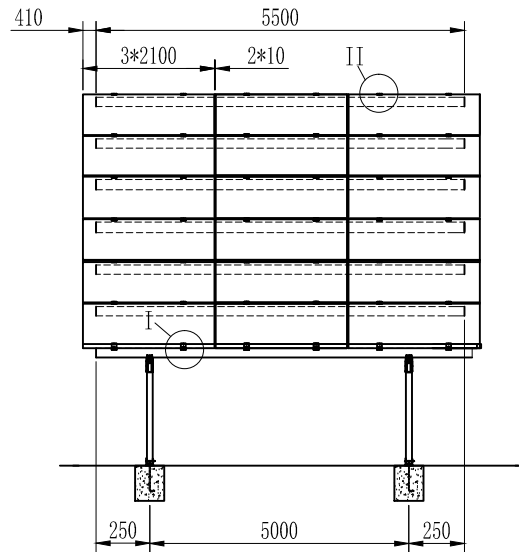




6*3

Note:
 1. Do Not Scale Drawings, Use Figured Dimensions Only;
 2. This drawing is valid only if with corresponding edition stamp.



The height of the bolt bulges is 60mm

Tilt angle(°):	5	 虎克(厦门)新材料有限公司 Xiamen HQ Mount Tech. Co., Ltd.					
Wind Speed (m/s):	34m/s						
Snow Load (cm):	0.9kn/m²	Group	CP	Title	H116铝合金车棚支架项目	BarCode	****
Module (mm):	2100*1060*35	Dwg No.	HQ2021042601	Scale	1:1	View	
Rows*Columns (PCS):	6*3=18						