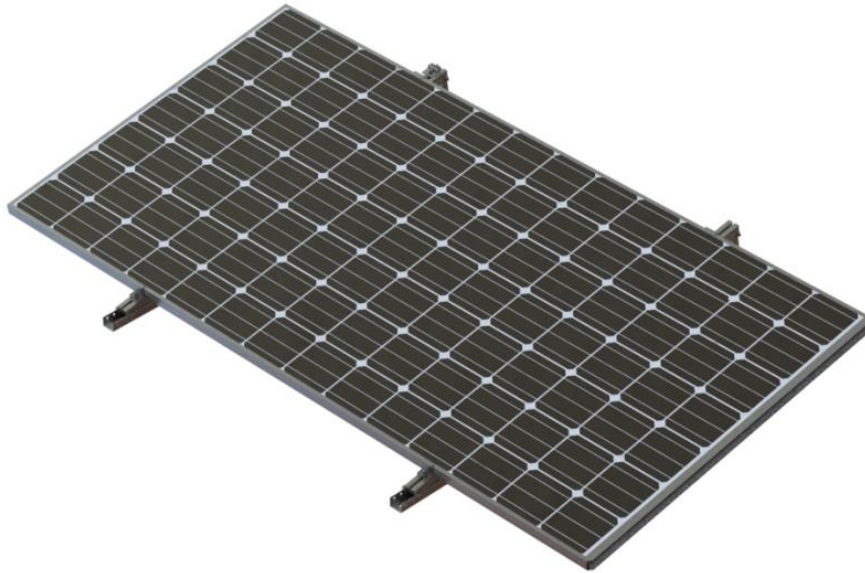


SFS-FR-03H SunRack Flat Roof Installation Guide


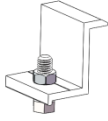

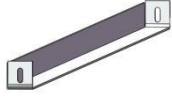



Safety precautions

The installer shall comply with the following specifications:

- Comply with all applicable local or national building codes, including any that may supersede this manual.
- Please use the spare parts provided by our company and the installation tools you carry (if other spare parts are used to replace our spare parts for construction, our company will not be responsible for quality problems).
- Ensure that products such as aluminum support are suitable for specific installation and installation environment.
- How to recycle: according to local regulations.

1. Parts list

<p>① Triangular mounts group</p> 	<p>② End clamp</p> 	<p>③ Earth lug Group</p> 	<p>④ Angle plate</p> 
<p>⑤ Ground clip</p> 			

2. Tools need to prepare



Glove



Power tool

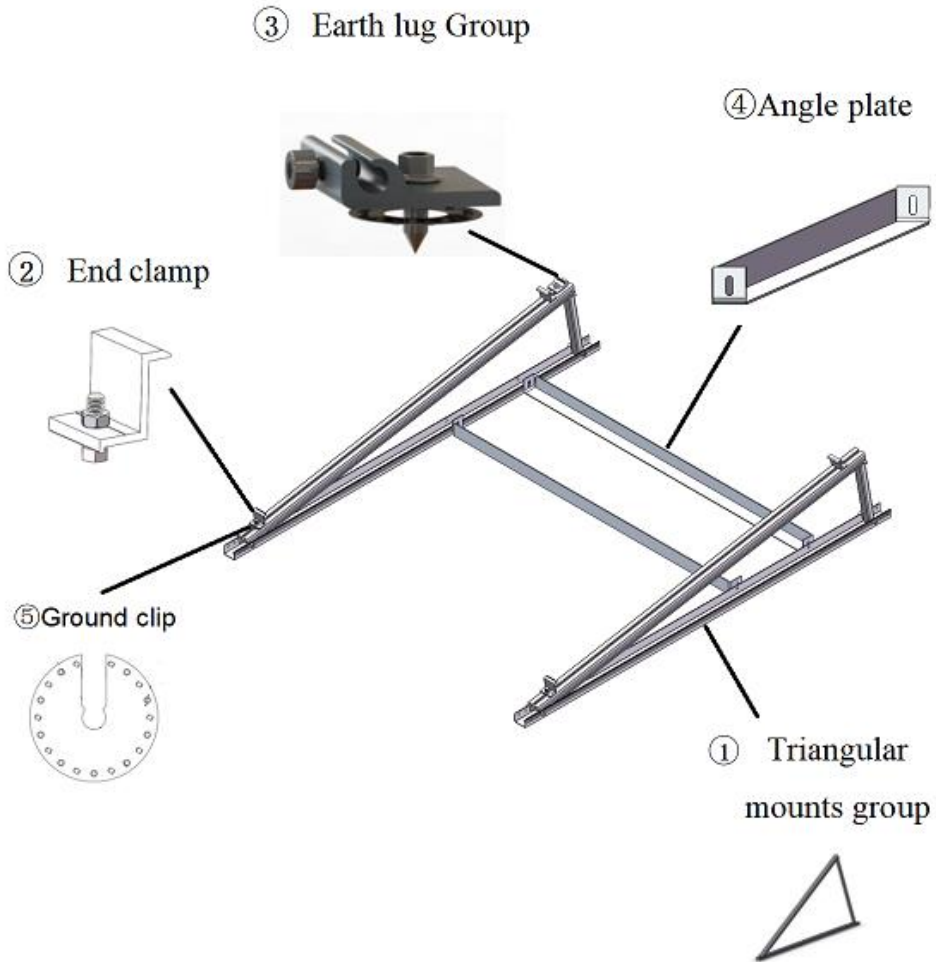


Monkey wrench

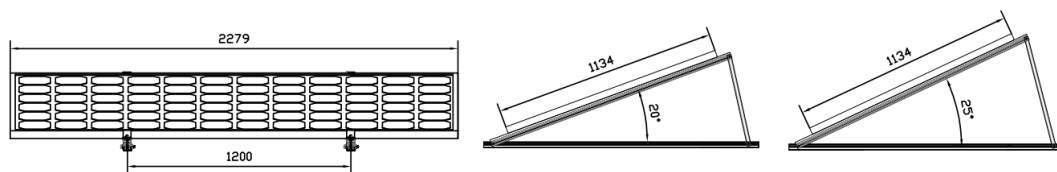


Meter ruler

3. Product diagram and location of components

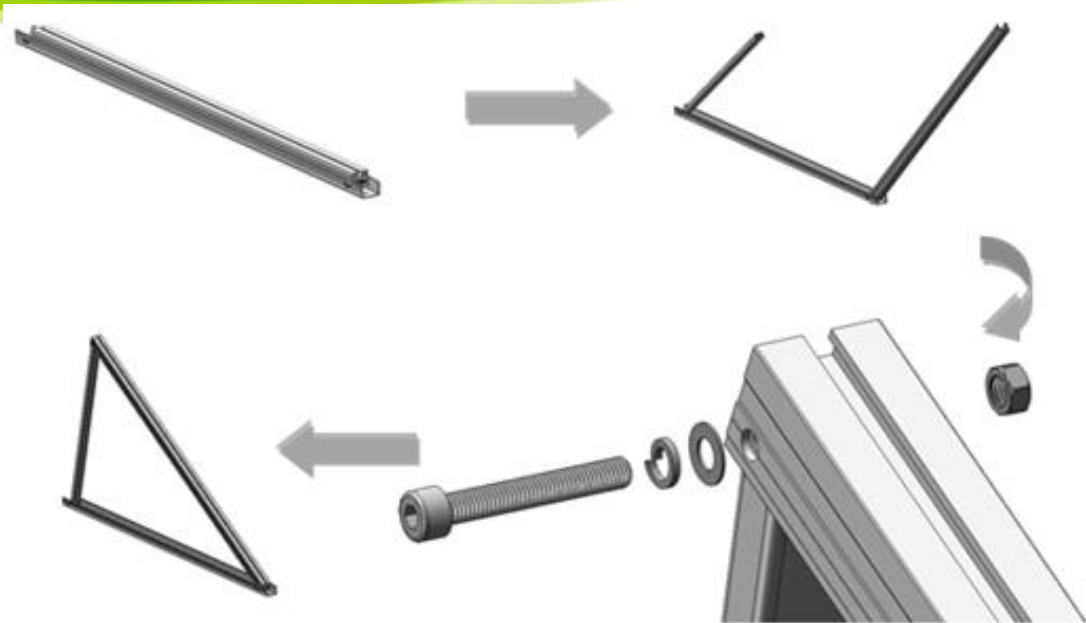


4. Layout Description

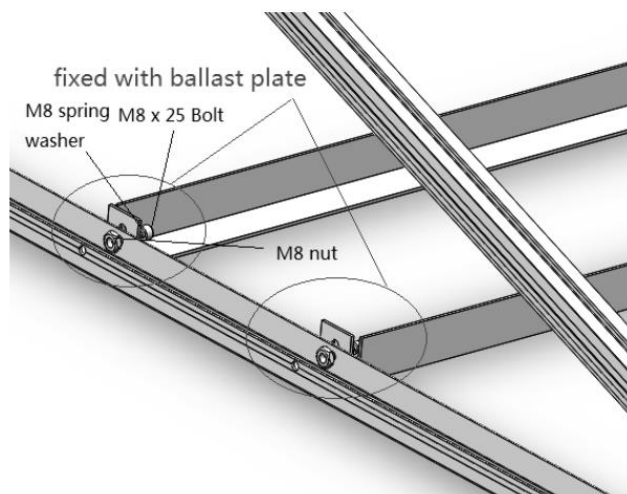


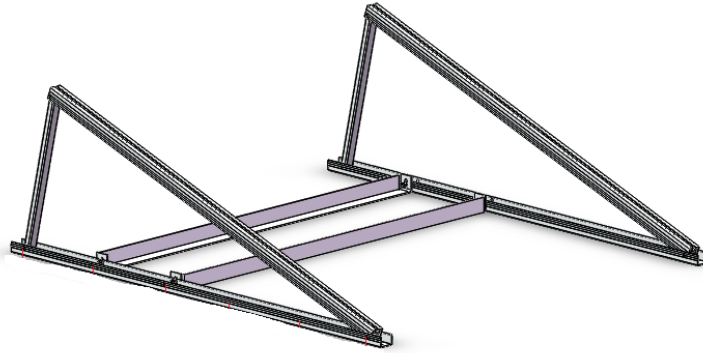
5. Installation steps

1).As follow picture show. Used the Allen key and M8*55 Bolt,M8 spring washer,M8 Nut, M8 Flat washer to install Triangle Mounts.

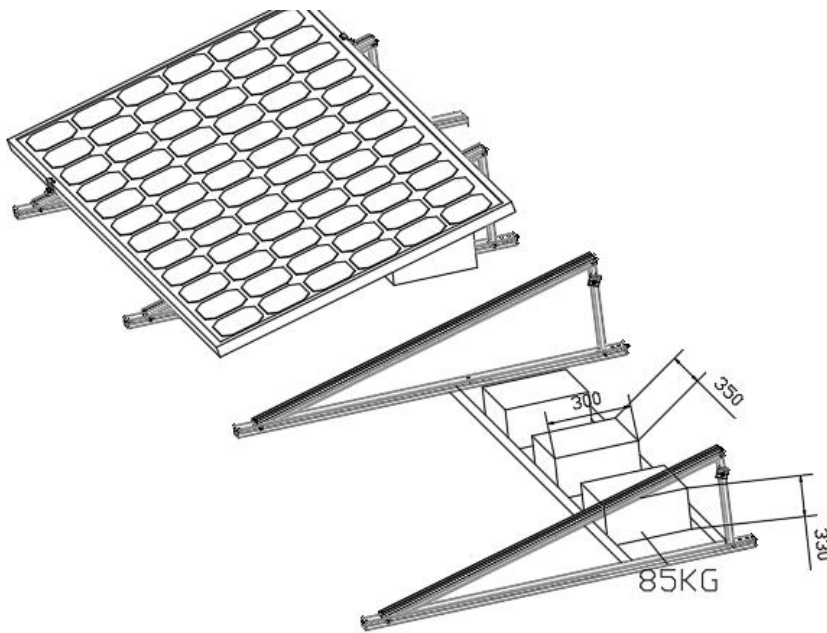


2).Place the Triangular mounts Group on the Ground, than use M8*25 Bolt to install angle plate .

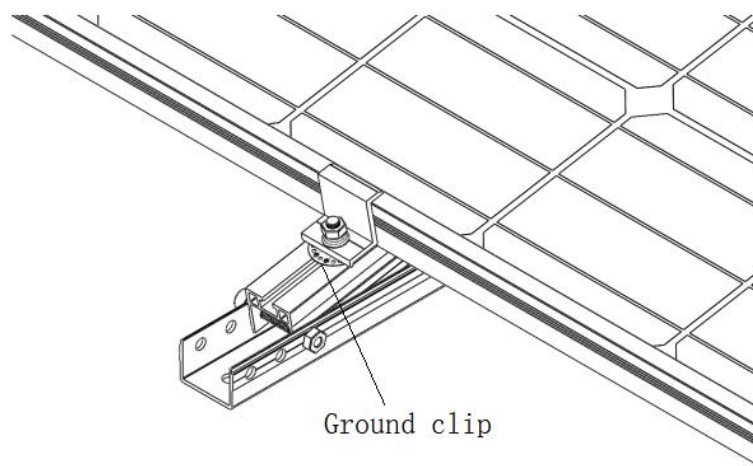




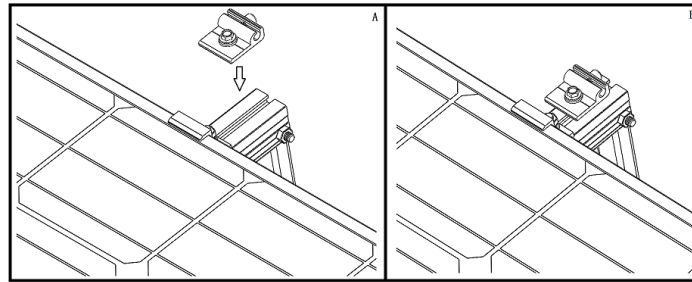
3) .Place the cement base on the Angle plate,the size of cement base is 350*300*330mm




4).As follow picture to Install End-clamp



5).As follow picture to install earth lug



6.Install Installation torque:

Image	Recommended torque
 M8 Bolt+M8 Nut	13 N/m