



SPLIT AIR Conditioner ALFA

Features

- SPLIT – indoor and outdoor units
- Refrigerant R32
- High efficiency DC Inverter split
- Remote control
- WIFI module as standard
- High efficiency A++ (cooling), A+ (heating)
- Healthy filter
- 4D airflow
- Anti-Cold Air
- Auto-cleaning
- 6-fan speed
- I-feel mode
- Children lock
- ECO mode



Mobile App (TUYA standard):





SPLIT AIR Conditioner ALFA

Specification

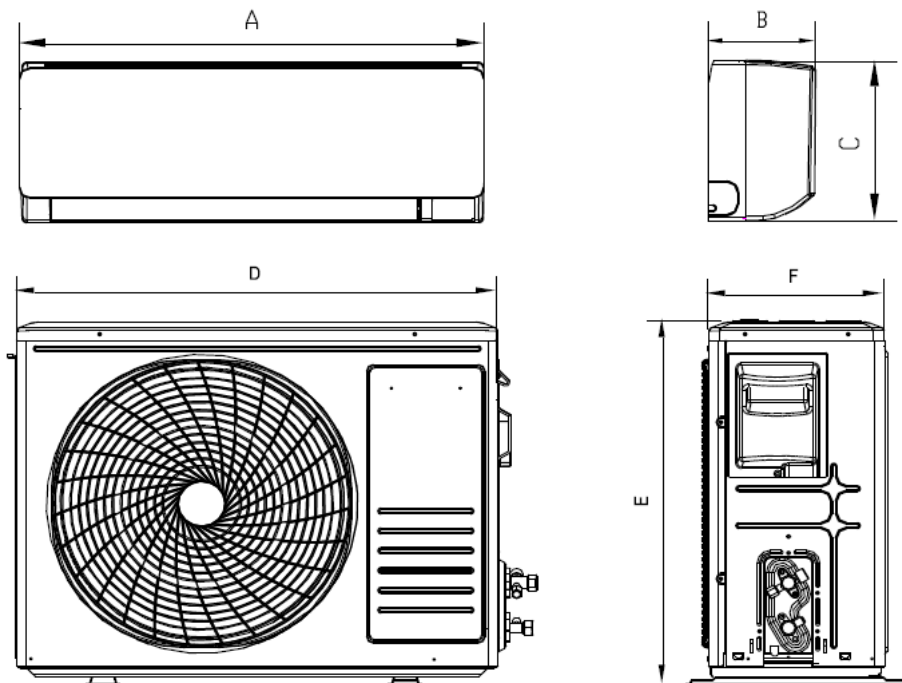
		ALFA 09K WIFI V1	ALFA 12K WIFI V1	ALFA 18K WIFI V1	ALFA 24K WIFI V1	
Type		heating pump	heating pump	heating pump	heating pump	
Control type		remote controller	remote controller	remote controller	remote controller	
Declared cooling capacity	W	2600(940~3300)	3400(1000~3770)	5100(1250-5910)	6810(1830~7800)	
Declared heating capacity	W	2610(940~3360)	3420(1000~3810)	5100(1250-6070)	6870(1850~7900)	
Pdesignc	W	2600	3400	5100	6800	
SEER declared	W/W	6,1	6,1	6,1	6,1	
Energy Class		A++	A++	A++	A++	
EER declared	W/W	3,15	3,01	3,23	3,11	
COP declared	W/W	3,4	3,4	3,71	3,33	
Pdesignh Average	W	2000	2100	3800	4800	
SCOP Average declared	W/W	4,0	4,0	4,0	4,0	
Energy Class(Average)		A+	A+	A+	A+	
Declare capacity(-10°C)	W	1900	2000	3600	4500	
Back up heating capacity(-10°C)	W	100	100	200	300	
Pdesignh warmer	W	2200	2400	5000	5800	
SCOP Warmer declared	W/W	5,1	5,1	5,1	5,1	
Energy Class(Warmer)		A+++	A+++	A+++	A+++	
Declare capacity(2°C)	W	2200	2400	5000	5800	
Back up heating capacity(2°C)	W	0	0	0	0	
Pdesignh colder	W	/	/	4000	4700	
SCOP Colder declared	W/W	/	/	3,4	3,4	
Energy Class(Colder)		/	/	A	A	
Declare capacity(-22°C)	W	/	/	3700	4400	
Back up heating capacity(-22°C)	W	/	/	300	300	
Annual energy consumption	Cooling	kwh/a	149	195	293	390
	Average	kwh/a	700	735	1330	1680
	Warmer	kwh/a	604	659	1373	1592
Moisture removal	L/h	1	1,2	1,5	1,8	
Indoor sound power(S/H/M/L/Mute)	dB(A)	50/47/43/35/32	50/47/43/35/32	53/50/47/43/36	54/51/48/44/40	
Outdoor sound power	dB(A)	60	60	65	67	
Indoor sound pressure(S/H/M/L/Mute)	dB(A)	40/37/33/25/22	40/37/33/25/22	43/41/38//35/27	44/41/38/34/30	
Outdoor sound pressure	dB(A)	50	50	55	57	
Electrical Data						
Power supply		220-240V~/50Hz/1P	220-240V~/50Hz/1P	220-240V~/50Hz/1P	220-240V~/50Hz/1P	
Power supply side		Outdoor	Outdoor	Outdoor	Outdoor	



SPLIT AIR Conditioner ALFA

Voltage Range		V	165~265	165~265	165~265	165~265
Operating current	Cooling	A	4.0(1.2~8.0)	5.8(1.5~9.0)	8.1(1.7~12.0)	10.7(2.3~12.3)
	Heating	A	3.8(1.2~9.0)	5.1(1.5~10.0)	7.0(1.7~13.0)	9.9(2.3~13.5)
Power consumption	Cooling	W	825(240~1380)	1130(290~1500)	1580(330-2340)	2257(410~2824)
	Heating	W	767(240~1552)	1005(290~1720)	1374(340-2520)	2063(420~3005)
Refrigerating System						
Refrigerant type/Charge/GWP/CO2 equivalent			R32/0.45kg/675/0.304t.	R32/0.49kg/675/0.331t.	R32/1kg/675/0.675t.	R32/1.14kg/675/0.770t.
Compressor	Type		Rotary	Rotary	Rotary	Rotary
Indoor air circulation Cooling/heating		m ³ /h	420/420	550/550	800/800	980/980
Indoor fan type			Cross Flow	Cross Flow	Cross Flow	Cross Flow
Outdoor fan type			Propeller fan	Propeller fan	Propeller fan	Propeller fan
Outdoor air circulation		m ³ /h	1700	1700	2600	3000
Connections						
Connecting Wiring	Core x Size		4x0.75mm ²	4x0.75mm ²	4x0.75mm ²	4x0.75mm ²
Expansion device			Capillary	Capillary	Capillary	Capillary
Connecting Pipe	Gas	Inches	3/8"	3/8"	3/8"	1/2"
	Liquid	Inches	1/4"	1/4"	1/4"	1/4"
Others						
Max. refrigerant pipe length		m	25	25	25	25
Max. difference in level		m	10	10	10	10
Operation temperature range		°C	16-31	16-31	16-31	16-31
Ambient temperature range	Outdoor	°C	Cooling:-15-53/Heating:-20-30	Cooling:-15-53/Heating:-20-30	Cooling:-15-53/Heating:-20-30	Cooling:-15-53/Heating:-20-30
	Indoor	°C	Cooling:17-32/Heating:0-30	Cooling:17-32/Heating:0-30	Cooling:17-32/Heating:0-30	Cooling:17-32/Heating:0-30
Net dimensions	Indoor	mm	698x255x190	777x250x201	910x294x206	1010x315x220
(W x H x D)	Outdoor	mm	712x276x459	712x276x459	853x602x349	920x699x380
Net weight	Indoor	kg	6,5	7,5	10	13
	Outdoor	kg	22	22	35	40

Technical drawing



Efficiency labels

