

## Features:

- Compatible with split air conditioners
- Low power consumption, high efficiency
- Low noise (quiet working)
- Vibration reduction system
- High flow rate
- Max discharge head at 10m
- Small compact size

## Photo:

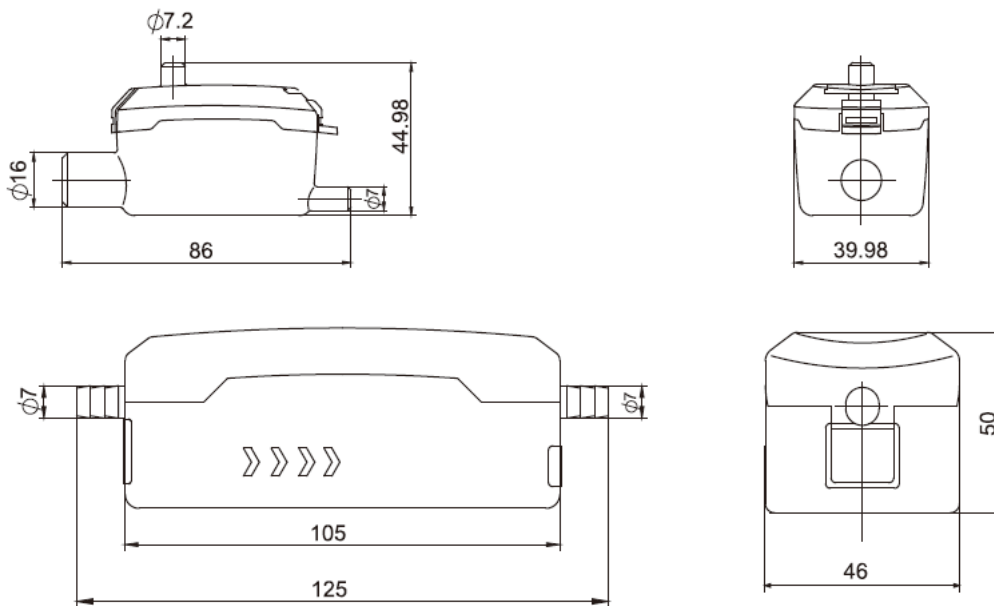


## Specification:

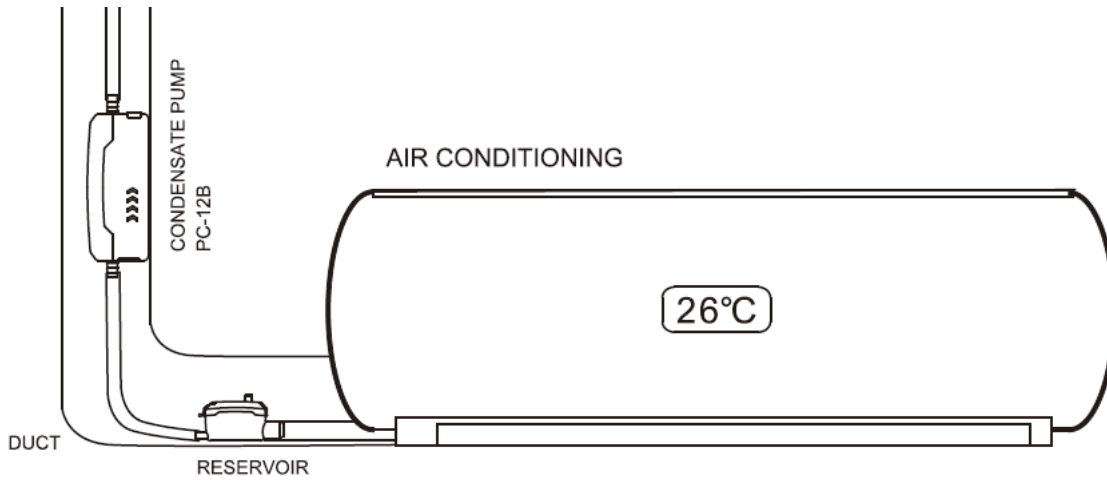
	ACMW-PC-12B	ACMW-PC-36B
Working voltage	100-230VAc 50/60Hz	
Discharge head	10m	
Tank capacity	35ml	
Power consumption	3W	
Ambient temp.	0°C ... +50°C	
Flow rate	Max 18l/h	Max. 36l/h
Noise	19dB (1m)	21dB (1m)

Model	Performance (l/h @Head)				
	0m	2m	4m	6m	8m
ACMW-PC-12B	18	12	8	7	6
ACMW-PC-36B	36	34	30	24	20

## Dimensions:



## Installation diagram:



## Compatible models:

<b>ALFA 12K WIFI</b>		
<b>ALFA 18K WIFI</b>		
<b>ALFA 24K WIFI</b>		
<b>BETA 12K WIFI</b>		

## Characteristic

Meters head  
(m)

